

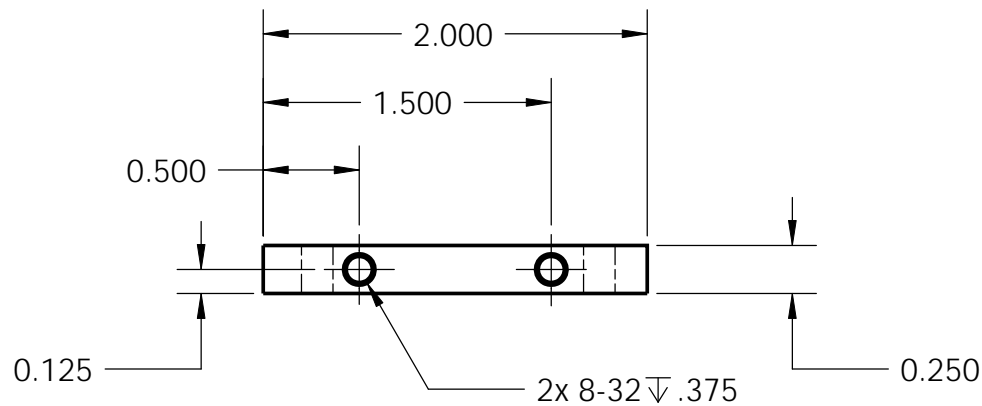
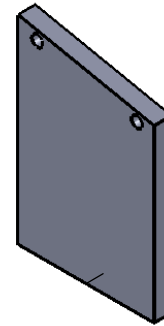
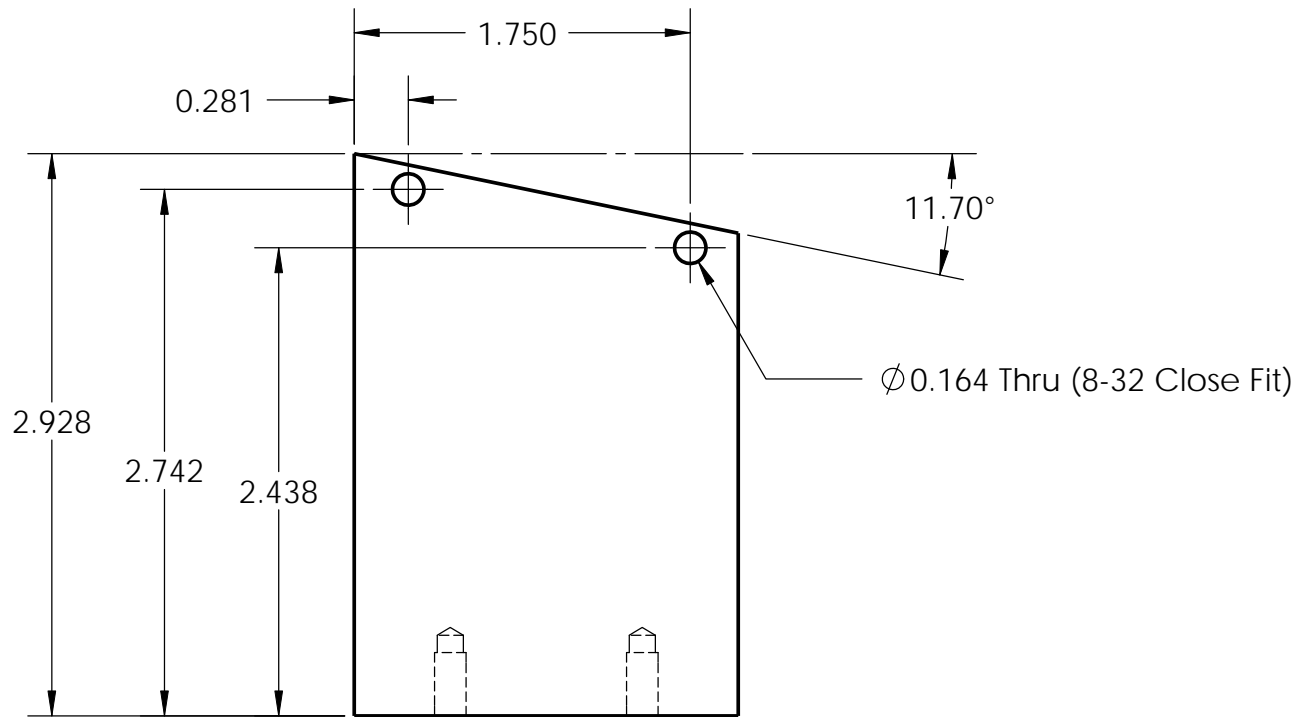
Tolerances, Unless Noted

0.0 ±0.1

0.00 ±0.01

0.000 ±0.001

Angular ±1°



Part Name: Radial Support Bar
Solid Model Filename: Radial Support Bar
Material:6061 Al
Quantity:4

University of Wyoming
College of Engineering and Applied Science

Student: Joe the Student
Phone: 399-0101
Email: erikson@uwyo.edu
Project: Sandia Vessel
Advisor: Dr. Erikson
Date: Aug 26, 2008